



ESC

Addressable easy CONTROL SYSTEM

ESC-200 is addressed emergency lighting system which control and monitoring have been consolidated into a single control panel to provide easy and cost-effective maintenance.

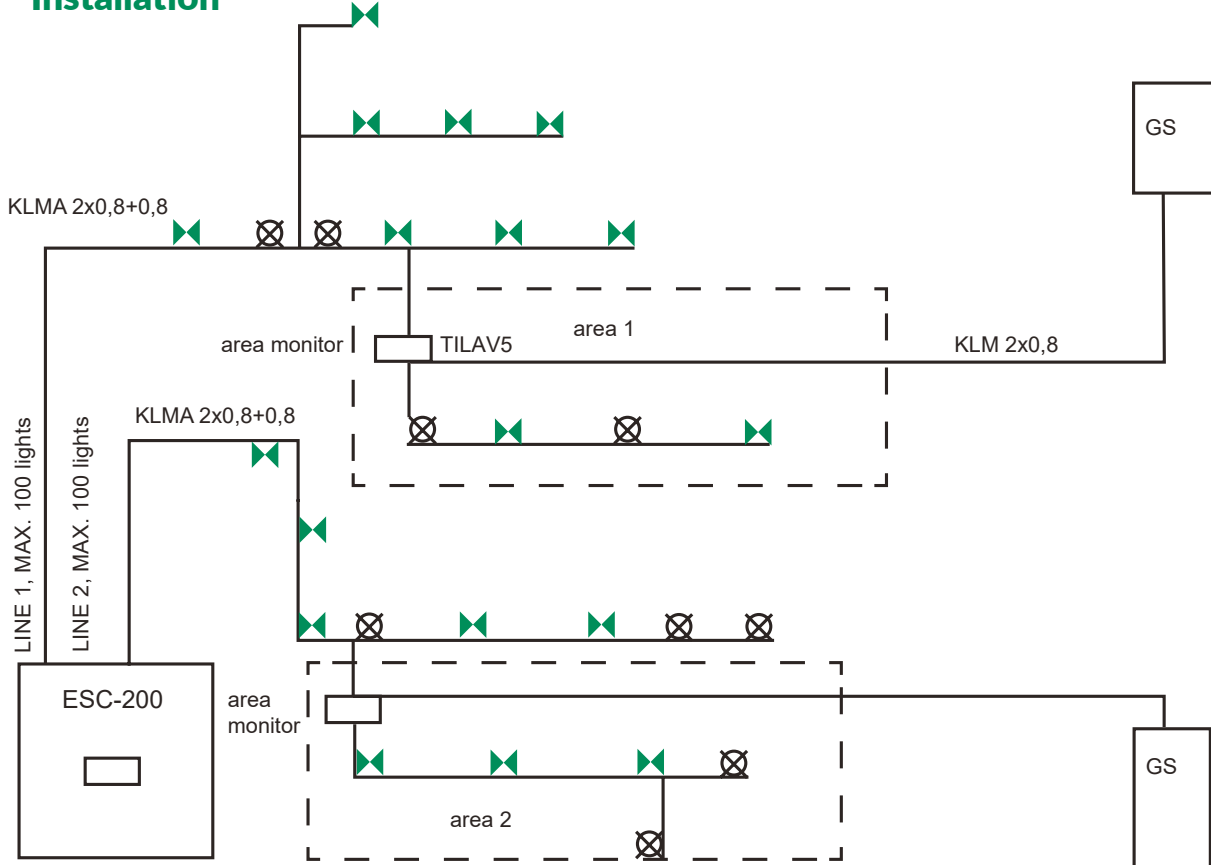
The exit and emergency luminaires can be installed in the same line using signaling cables. Data transfer between the luminaires and the panel runs through the same cable as the voltage feed and considerable amount of money is saved in cabling costs compared to traditional emergency lighting systems.

Standard 6000-5-56 section 560.9.5 sets about turning on the emergency luminaires when normal lighting fails. TILAV5 is an area monitor unit (AMU) used in addressable ESC.

ESC-system is British Standards Institute Kitemark certified.

TECHNICAL DATA

*Installation



KEY FEATURES

- Reliable and safe system operation compared to traditional systems.
- System capacity of 200 luminaires per one panel
- Reliable and proprietary control protocol for luminaires.
- Alpha numerical luminaire location info.
- Automatic Test System (ATS).
- Error log browsed from the panel.
- Automatic luminaire address provisioning.
- Ease of commissioning. No need for programming the luminaires.

Exilight reserves the right to make modifications without notice.

ORDERING OPTIONS

MODEL	VOLTAGE SUPPLY	BUS VOLTAGE	LINE OUTPUTS	LIGHTS PER OUTPUTS	CAPACITY	DIMENSIONS (MM)
ESC-200	230V AC, 10 A	65 V DC	2	100 pcs.	200 per system	405 x 300 x85

MODEL	SYSTEM	CONTROL	DIMENSIONS (MM)
TILAV5	Area Monitor Unit for ESC-200	NC relay	150 x 100 x 50
TILAV5+JV	Area Monitor Unit for ESC-200	One or three phase voltage	150 x 100 x 50



Showing the **GREEN LIGHT**

We manufacture the industry's widest selection of emergency lighting systems, guide and emergency lights. By producing almost all our products ourselves from start to finish, we are able to offer our customers high-quality and stylish lights at affordable prices. Almost all our products are the result of high-quality Finnish workmanship.



EXILIGHT OY

www.exilight.com
info@exilight.com

Tampere (Finland)

Hermiankatu 6-8 A
FI-33720 Tampere

+358 10 773 5400

Espoo (Finland)

Tekniikantie 12
FI-02150 Espoo

+358 10 773 5404



DISTRIBUTORS